

Your swimming pool, another place for you to live

02/2008 © Dardano & Partners, Tel : +35 (0)950 430 430 - Photo : D. Maynard - 030911



POOLSQUAD®

- Treatment by Saltwater chlorination and pH Regulation
- Performance & Innovative Technology
- Your way to peace of mind



The natural care for clear water



POOLSQUAD®

Salt/pH combination



The natural care for clear water

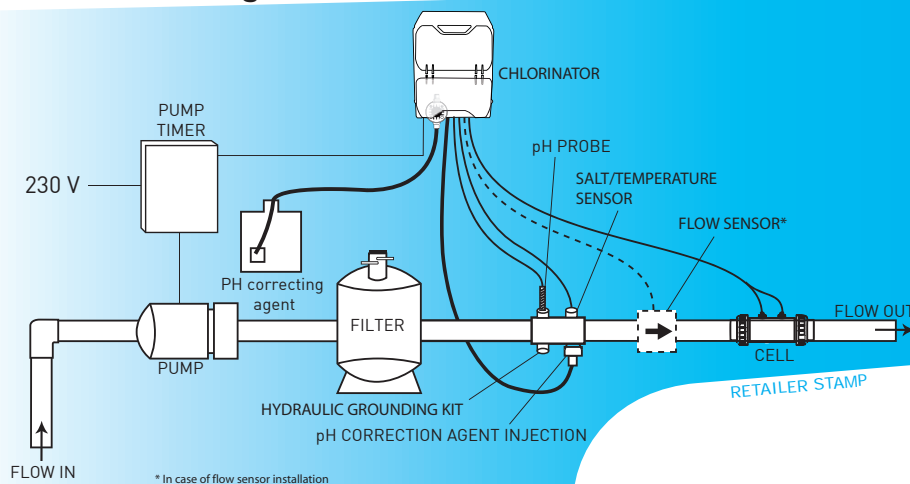
POOLSQUAD® controls the **two essentials of water disinfection**: the production of the disinfectant and automatic pH regulation. It keeps you free from any chemical disinfectant all season round. With **POOLSQUAD®** maintaining a healthy pool is no longer a chore.

POOLSQUAD® produces a powerful and efficient disinfectant by saltwater chlorination. All you need to do is adjust the chlorine production according to the volume and the frequency of use of your pool. From lightly salted water as 5 kg/m³ (1/7th as much as ocean water) **POOLSQUAD®** manages the disinfection of your pool entirely on its own.

Besides handling your pool's cleanliness, **POOLSQUAD®**, automatically regulates the pH. Thanks to its probe which analyses the water pH constantly and the injection of the corrective pH agent, **POOLSQUAD®** maintains your pH level at an ideal value. (7-7.2).

Its innovative design and advanced technology makes **POOLSQUAD®** salt/pH combination the most dependable and efficient choice on the market.

POOLSQUAD® ensures optimum disinfection and comfort when it comes time for swimming.



- **5 models:** 35, 55, 95, 160, and 300 cubic meters in temperate climate. In hot climates the treatment capacity of the equipment is reduced by 20%
- **2 versions:** peristaltic or electromagnetic pump
- **Equipment ready to use:** comes with chlorination cell, its equipped accessories holder, its analysis kit, and its factory calibrated pH probe
- **Adjustable production:** from 0 to 100 % with digital keys
- **Self cleaning cell:** by progressive polarity inversion
- **Adjustable polarity inversion time:** from 0 to 24 hrs depending on the water hardness
- **Proportional and Predictive pH Regulation:** adjustable set point from 6,8 to 7,6
- Injection of corrective agent on a dosing mode in case of the pH probe's failure
- **User's Menu:** set up, choice of language, BOOST mode (super chlorination 24 hrs), salt and pH adjustment, pH calibration, and manual pH injection
- **Professional Menu:** parameters, built-in self diagnostic, timer, history, and software update
- **Digital display:** production / pH / salt level/water temperature / recommended filtration time
- **Direct Access Keys:** BOOST/ water temperature/salt level
- **Chlorination Alarms:** water shortage/ no flow/ low salt / low temperature / scaled or deteriorated cell / insufficient filtration time
- **pH Regulation alarms:** low or high pH / pH overfeeding
- Works on all salt concentrations from **2.5 kg per m³**
- Disinfectant production: **up to 56 g/hr** depending on the model
- **Display available in 9 languages:** (french, english, spanish, portuguese, italian, german, dutch, turkish and polish)
- **Compatibility:** all filtration systems and linings
- **Can be used** on existing pool or one in construction
- **Cell: in line mounting** without any orientation hassle
- **2 years warranty** for your purchase of **POOLSQUAD®** and its accessories (pH and chlorine probes included)

Optional: free chlorine probe (ppm) to regulate chlorine production automatically
Optional: short cell (165 mm) for small installation areas
Optional: cable for pool cover to adjust automatically the chlorine production according to the pool cover position
Optional: independent flow sensor
Optional: empty can alarm for pH correcting agent
*Optional: filtration controller with **SIMPLEO®***